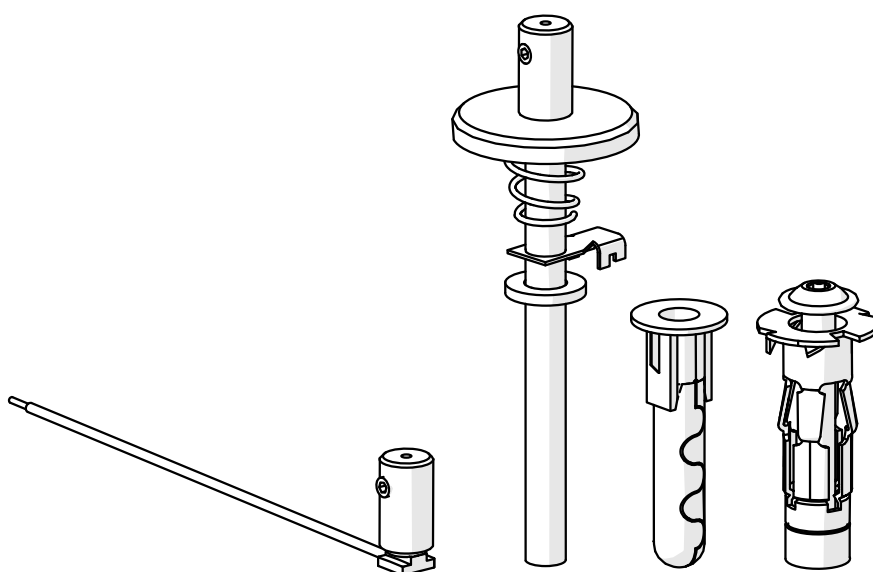
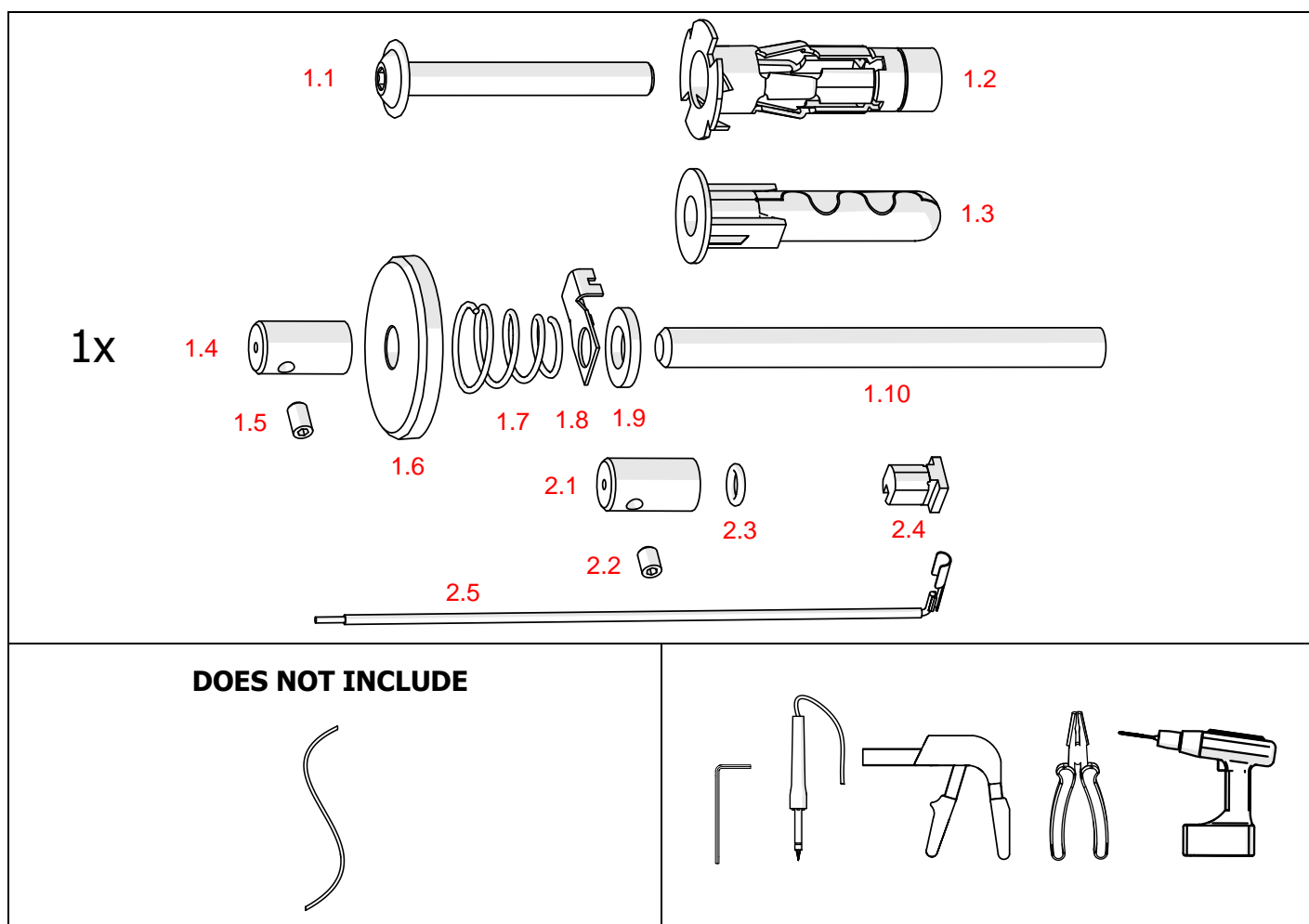


Fastener set FI-8-ZM-1

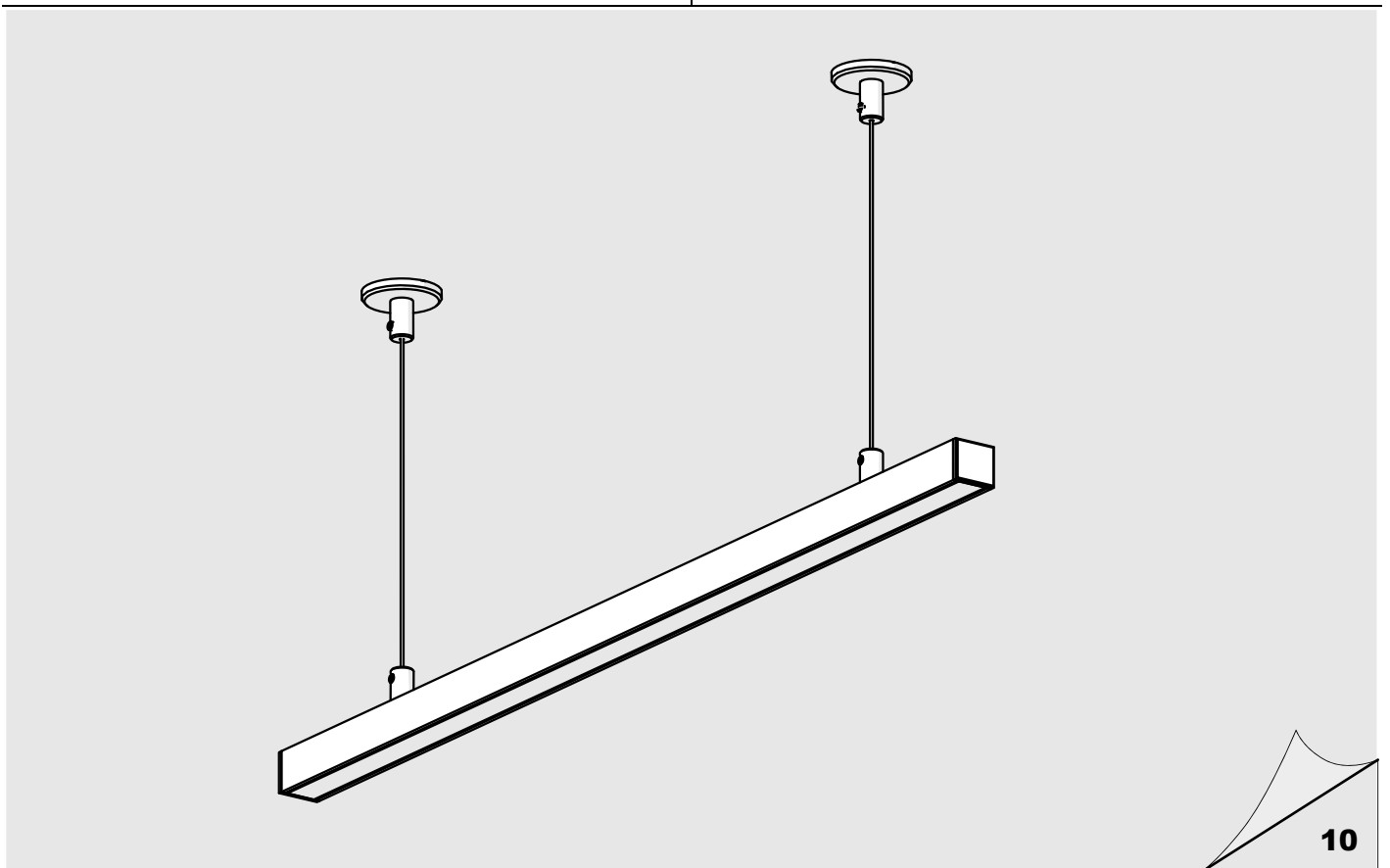
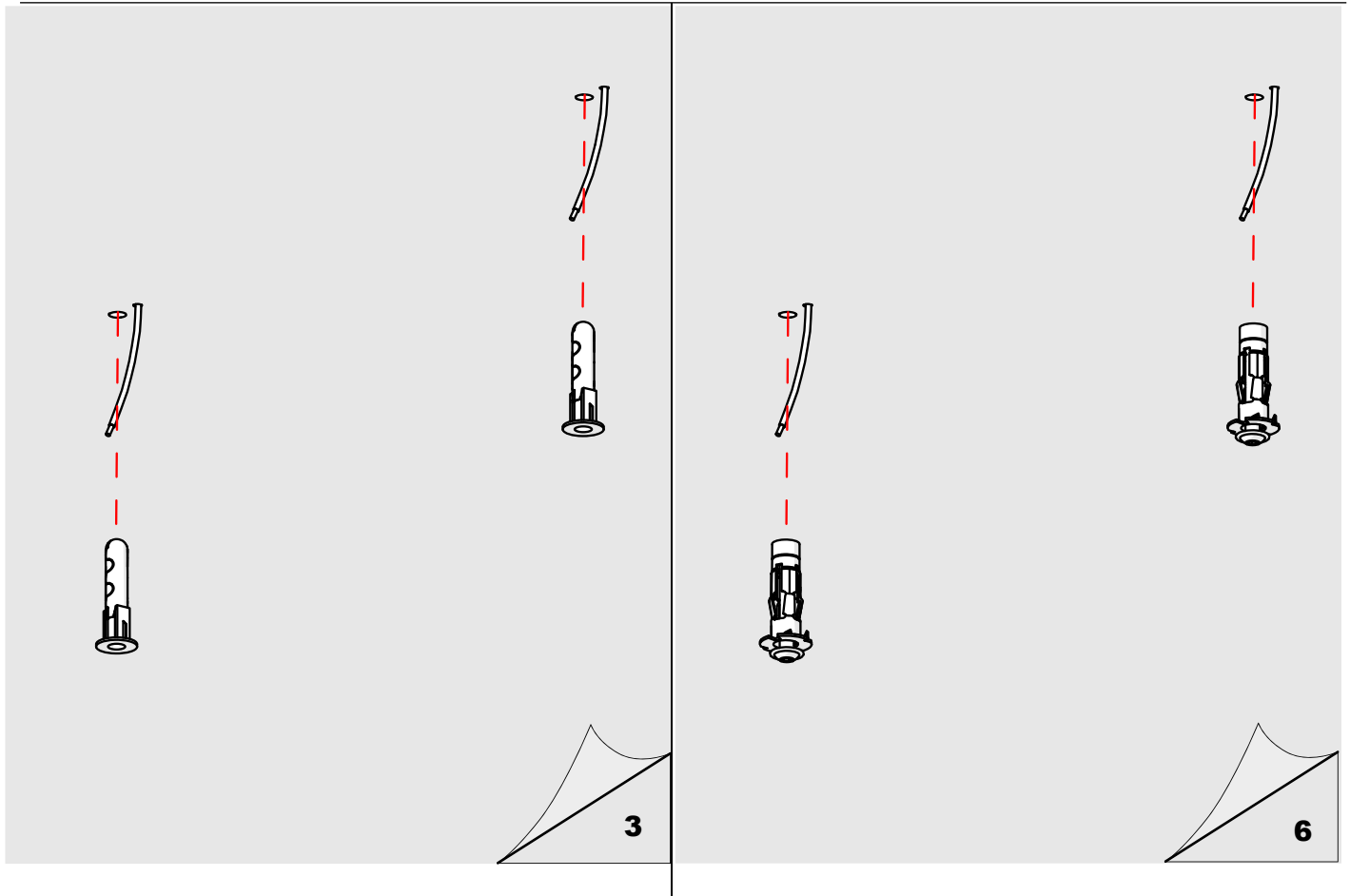




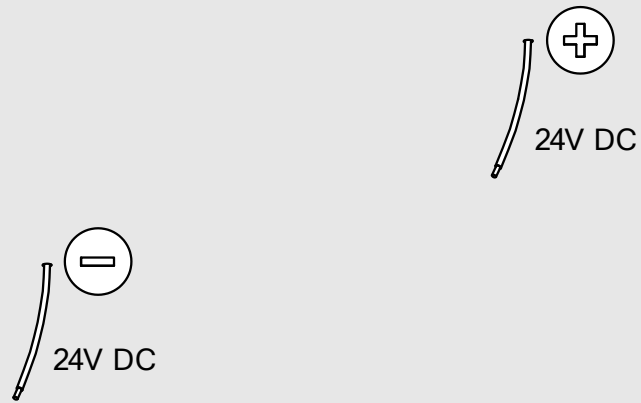
Fastener set FI-8-ZM-1 (ref. C28134)

- 1.1 Screw M6x45
- 1.2 Drywall anchor M6x37
- 1.3 Nail anchor M6x60
- 1.4 Connector conductive
- 1.5 Pressure screw M3x5
- 1.6 Fastener masking cover
- 1.7 Conical spring
- 1.8 Power connector dia. 6
- 1.9 Pad M6
- 1.10 Pressure screw M6x70
- 2.1 Connector conductive
- 2.2 Pressure screw M3x5
- 2.3 O-ring
- 2.4 M6-ZM hook
- 2.5 Electricity connector of M6-ZM hook

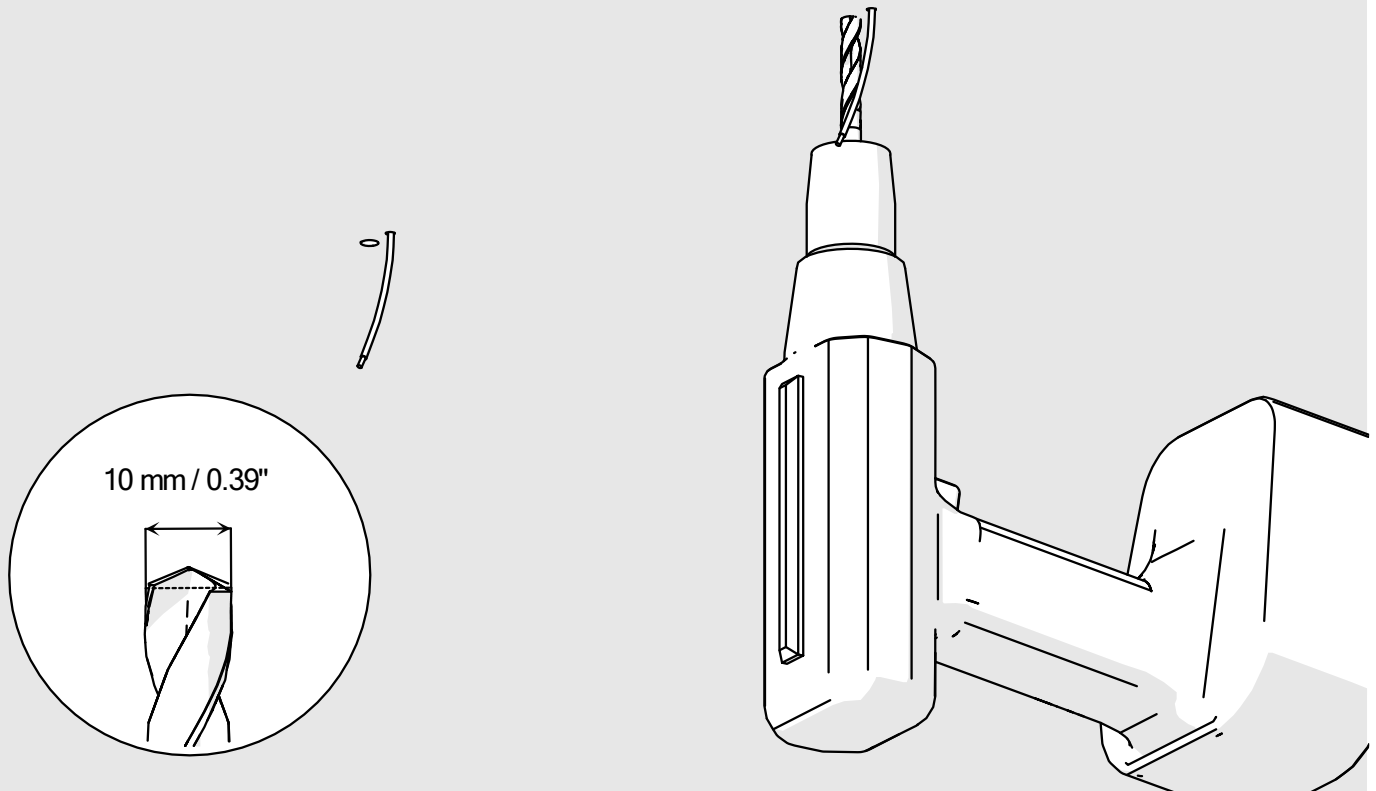
IMPORTANT: Not all possible mounting procedures are presented here. More mounting procedures and related accessories can be found at www.KlusDesign.eu. Drawings in these instructions are simplified and only approximate the actual shapes.



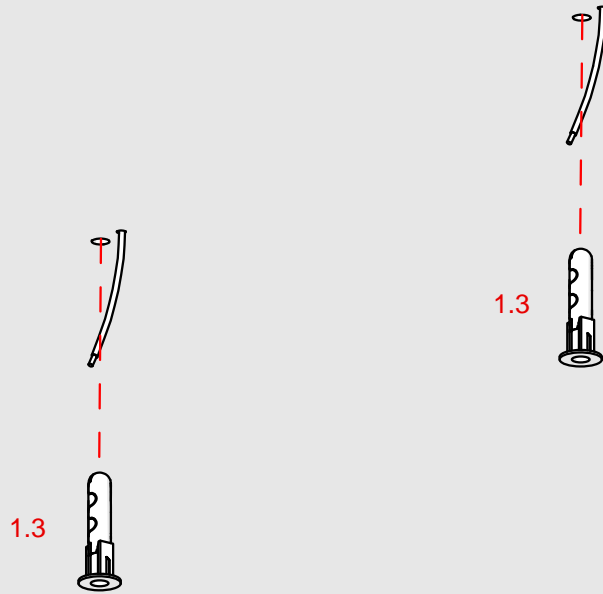
Ia



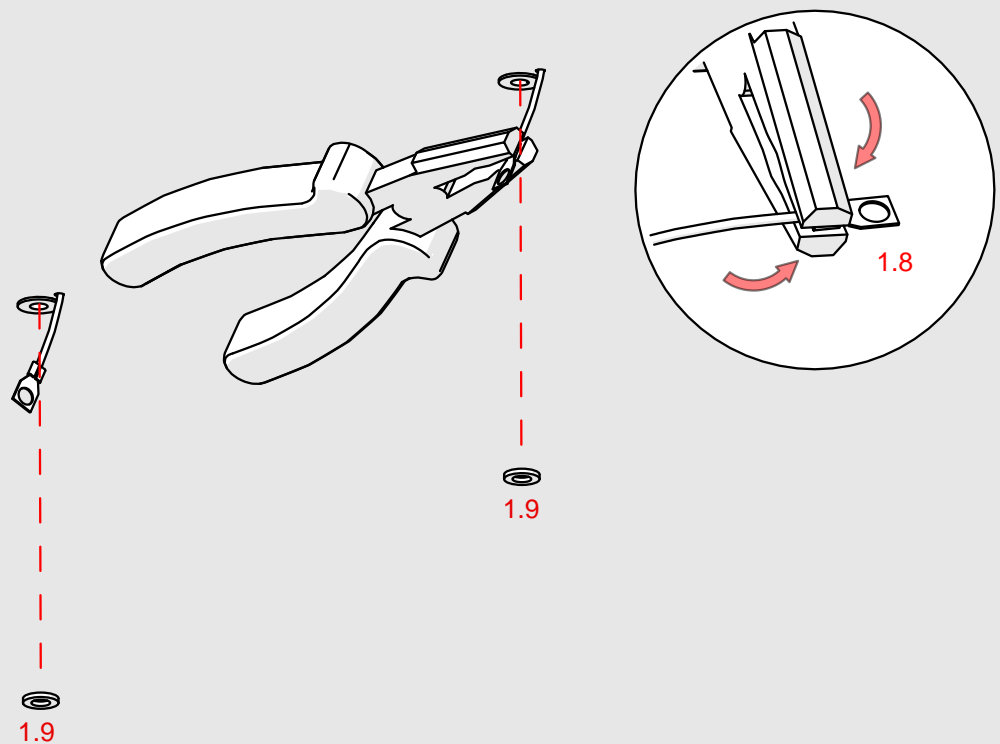
Ila



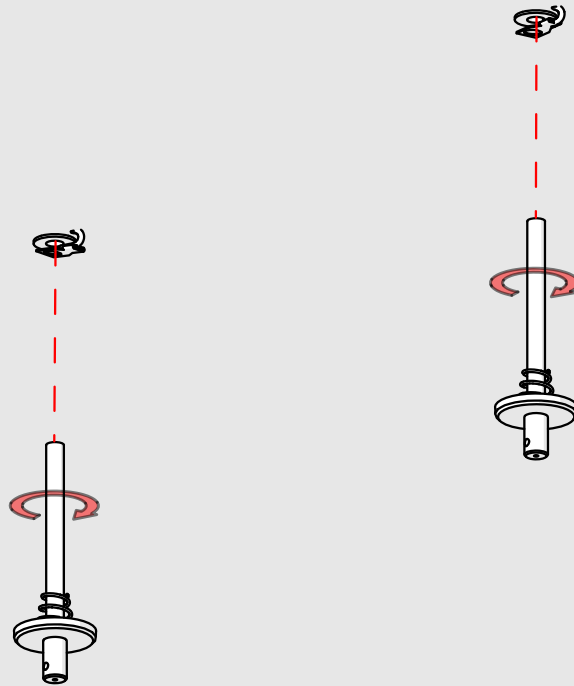
IIIa



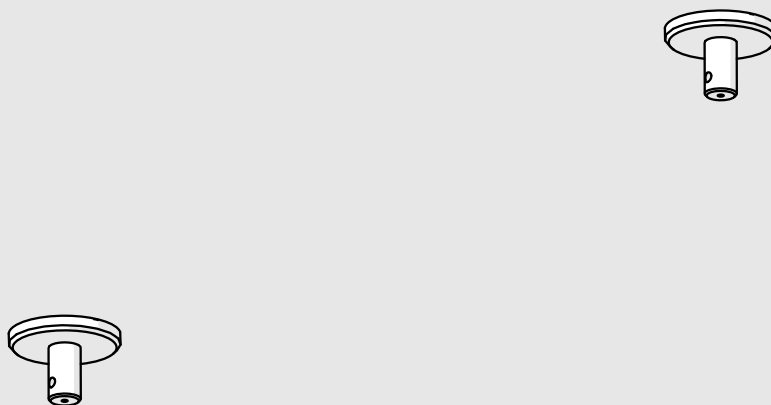
IVa



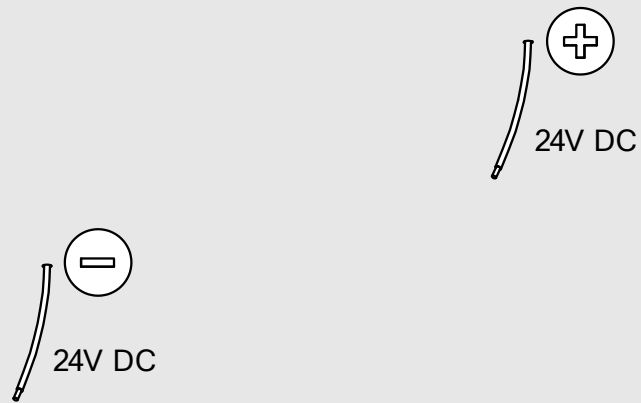
Va



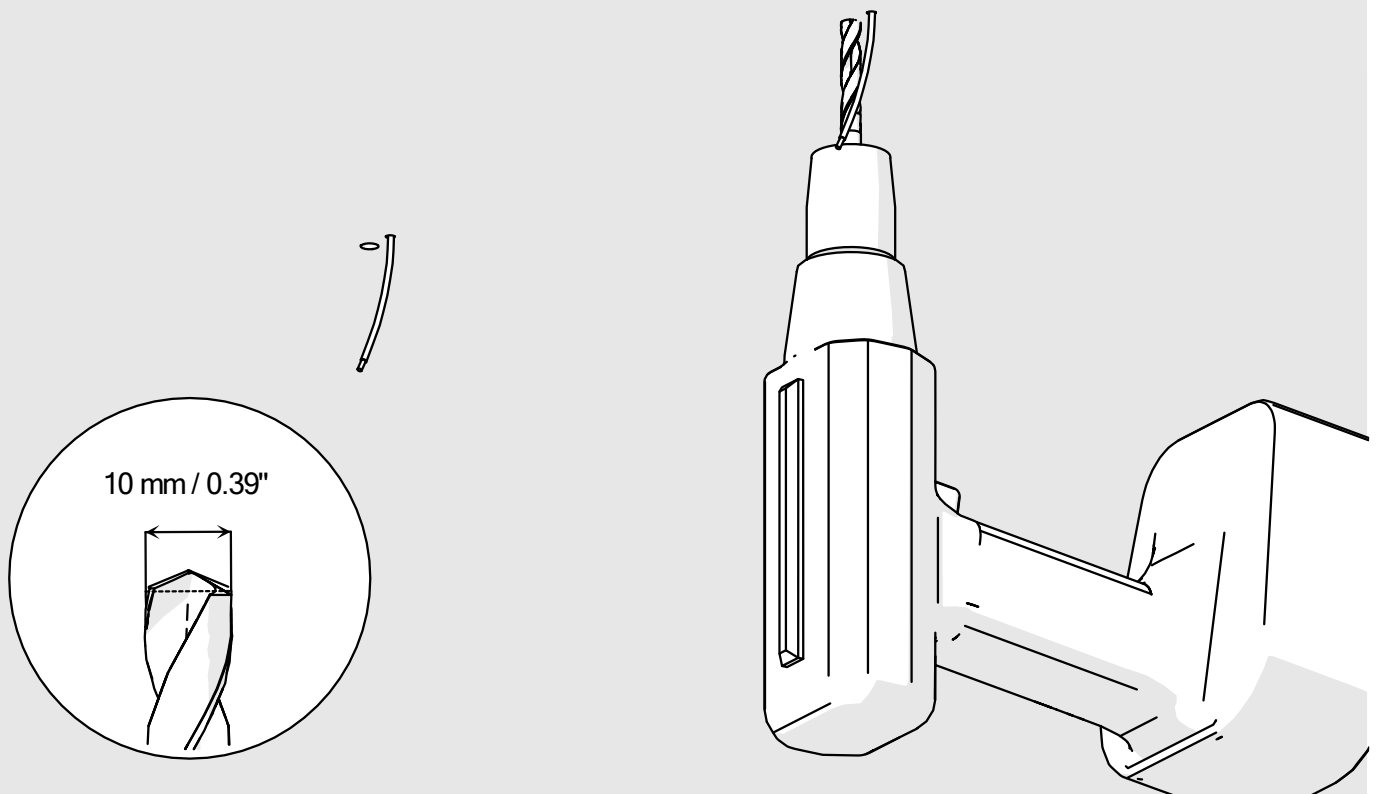
Vla



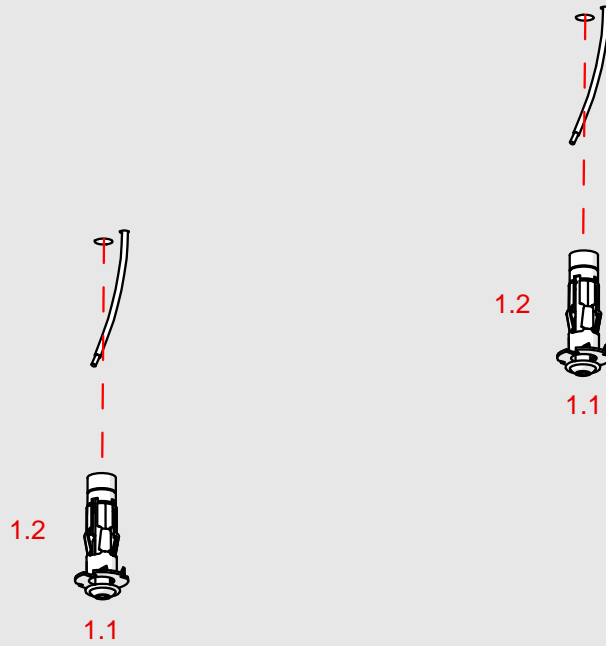
Ib



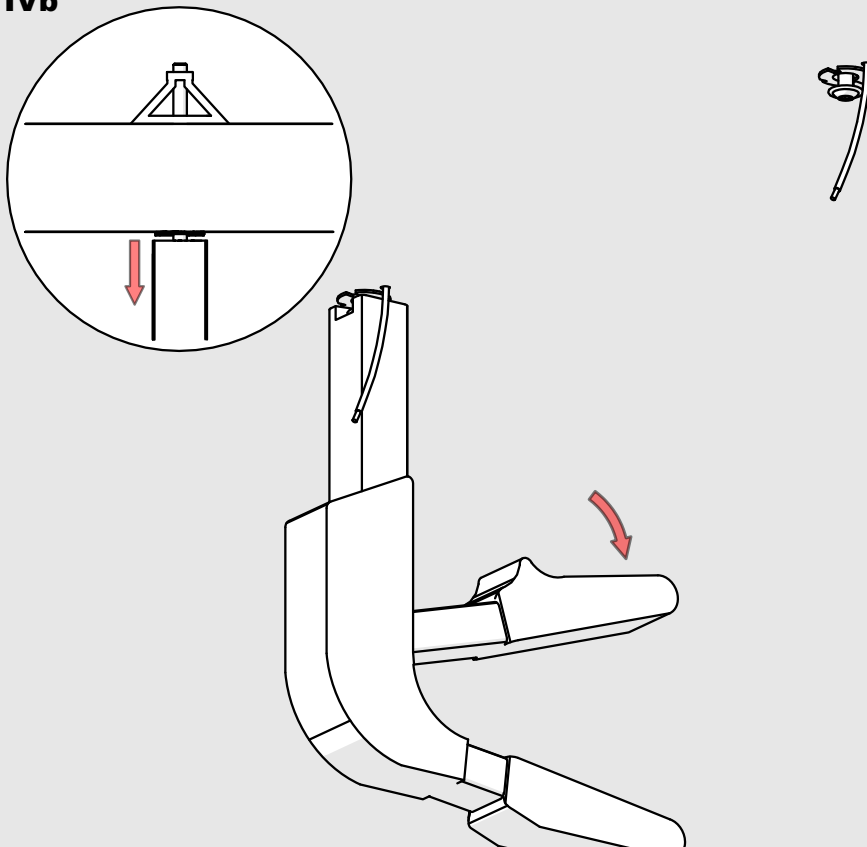
IIb



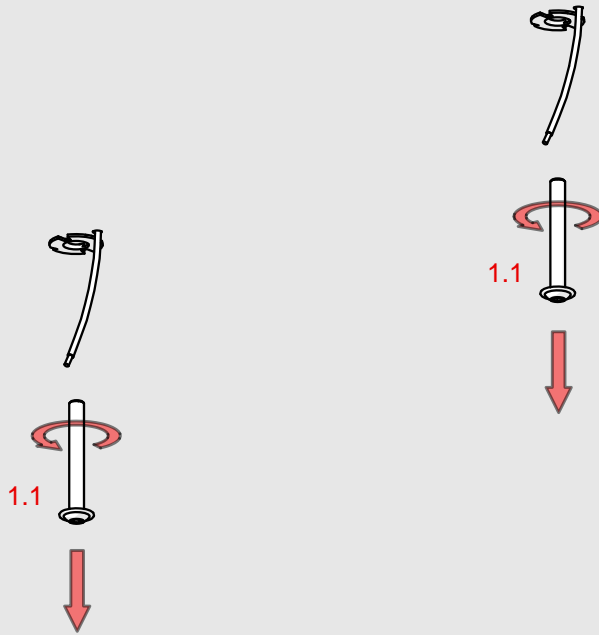
IIIb



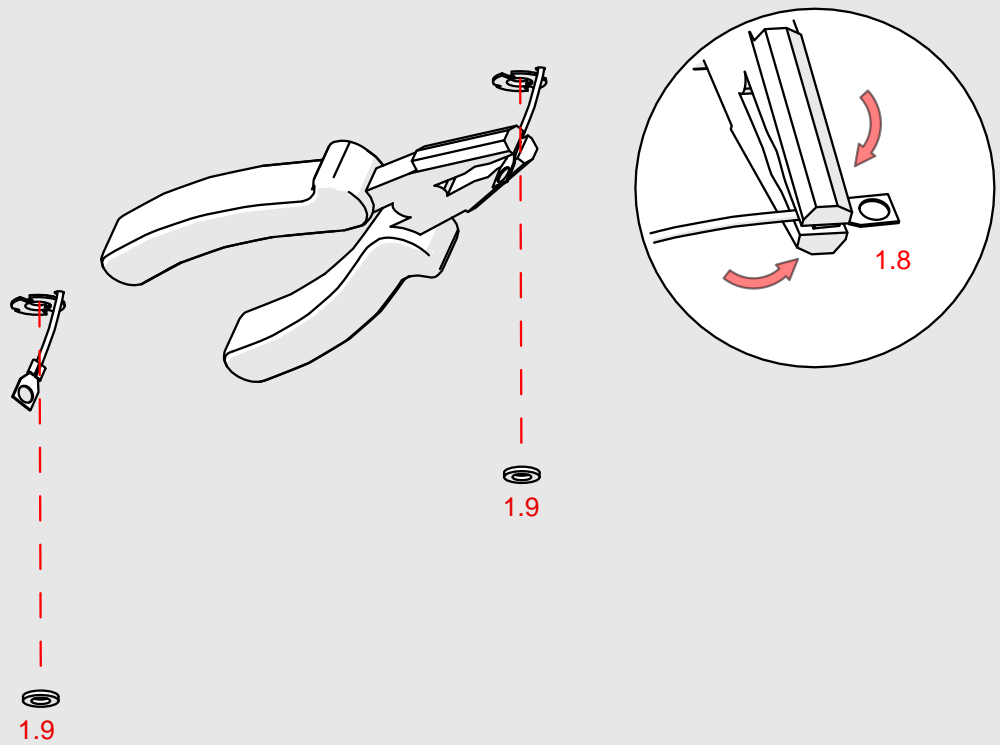
IVb



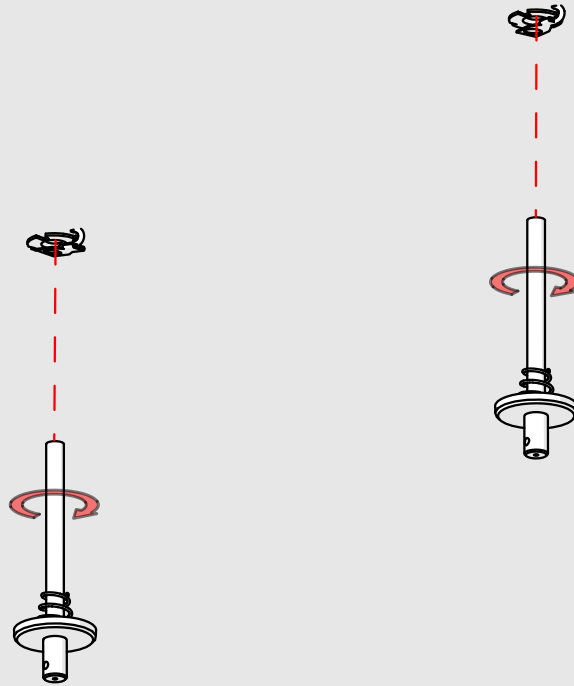
Vb



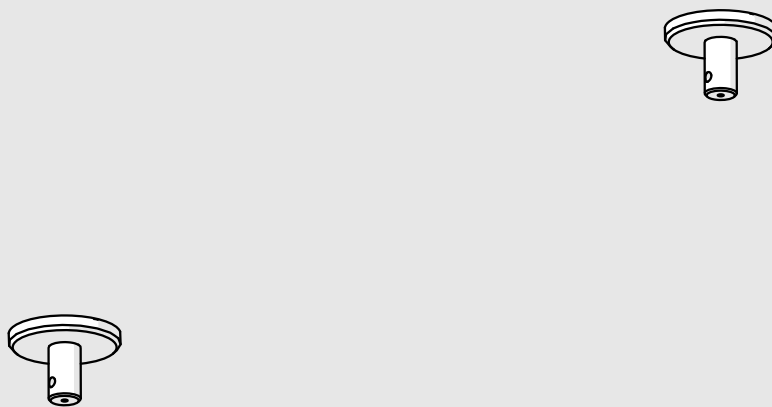
VIb



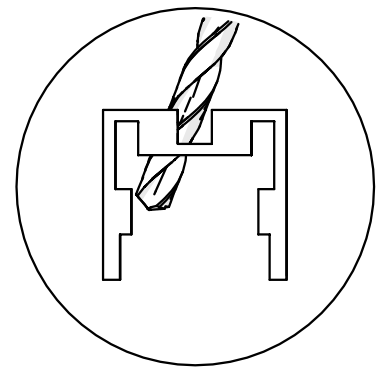
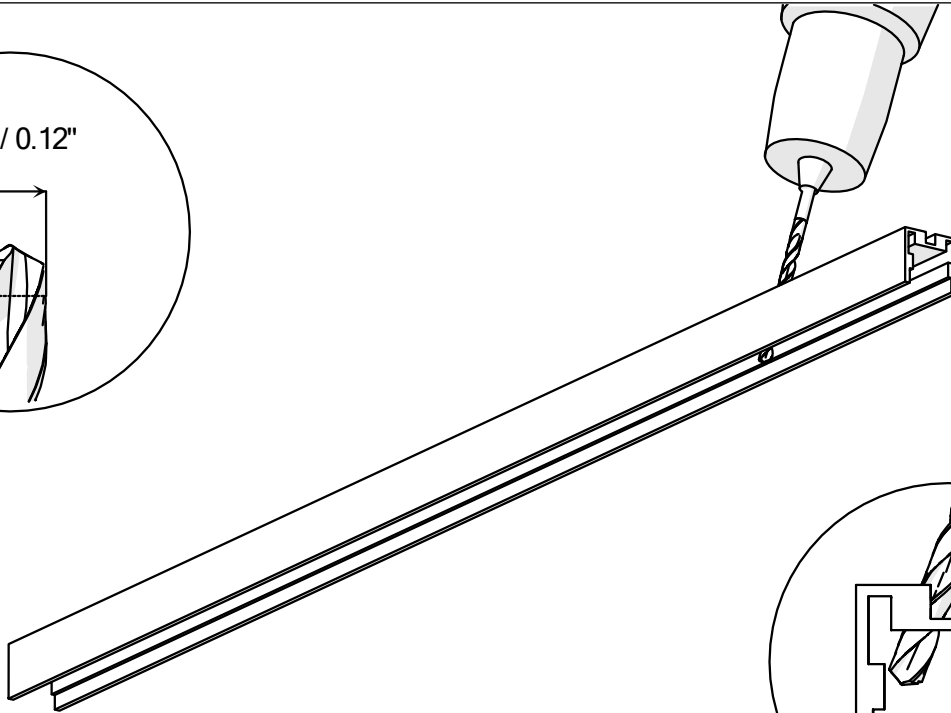
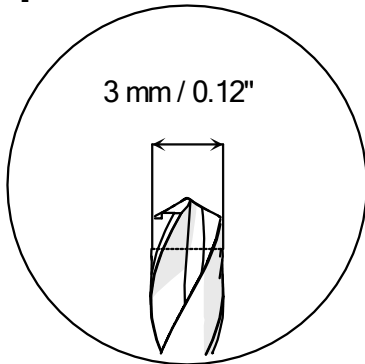
VIIb



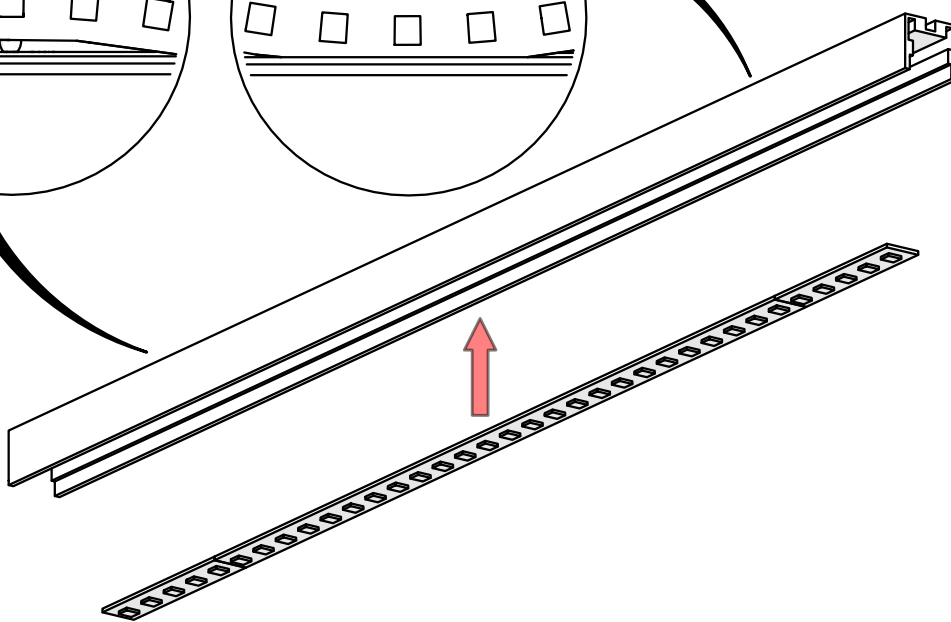
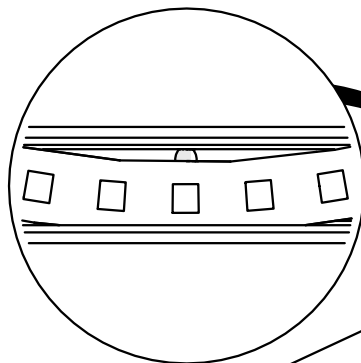
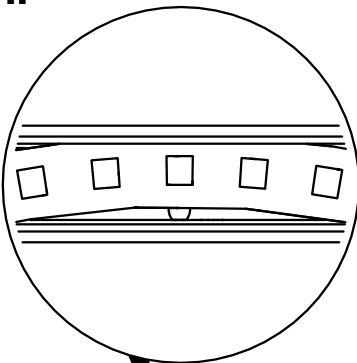
VIIIb



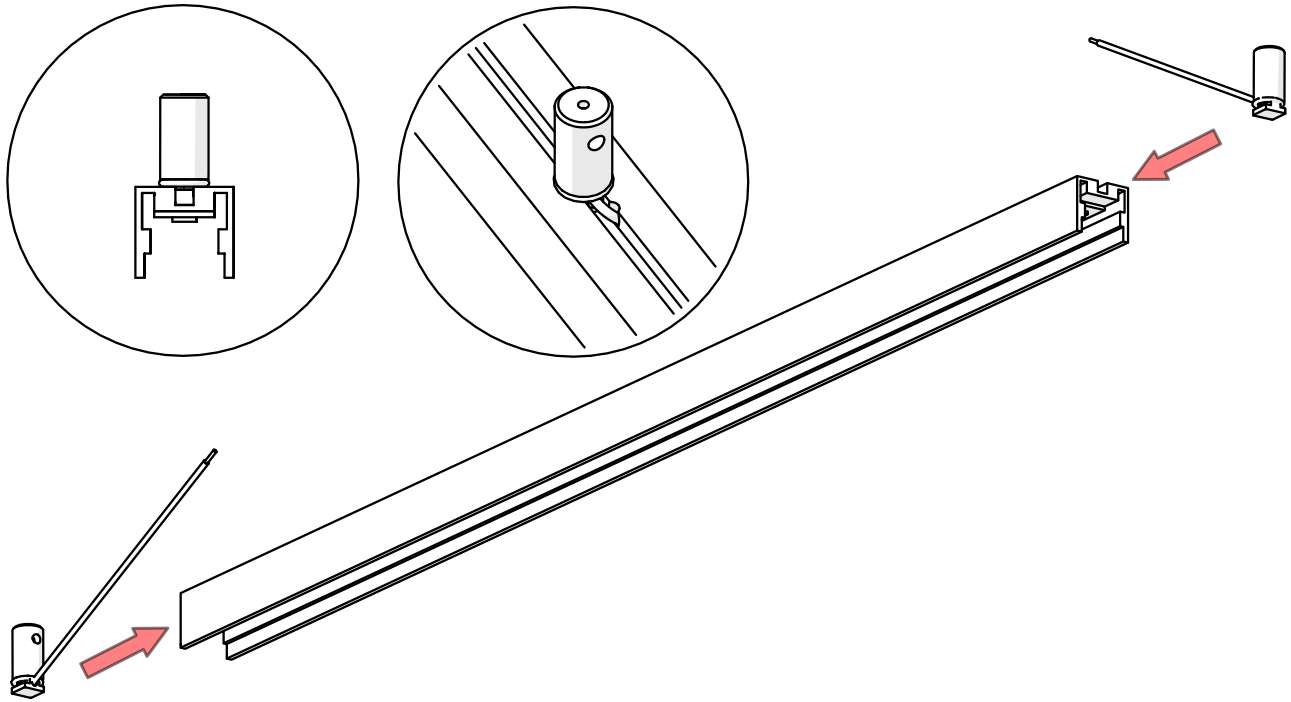
I



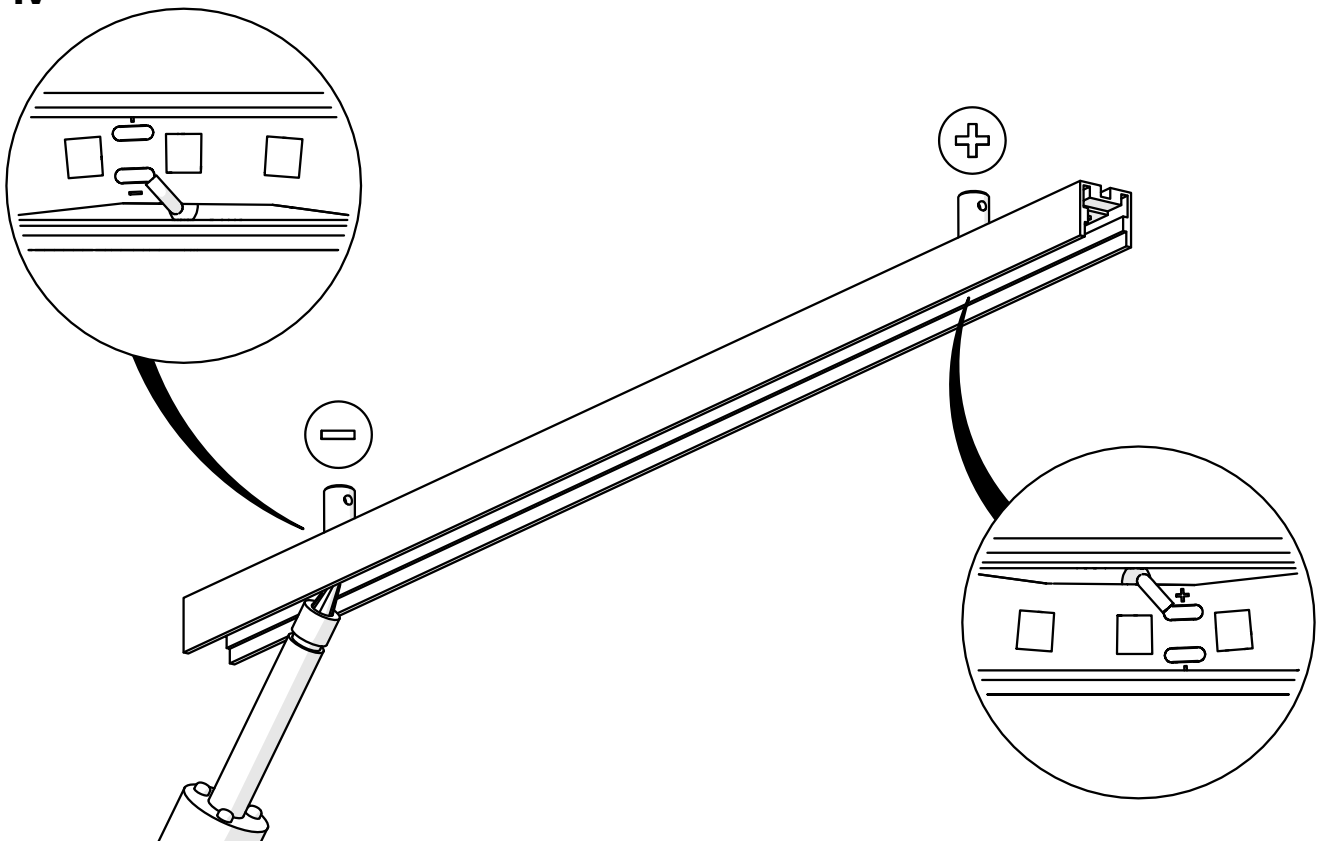
II



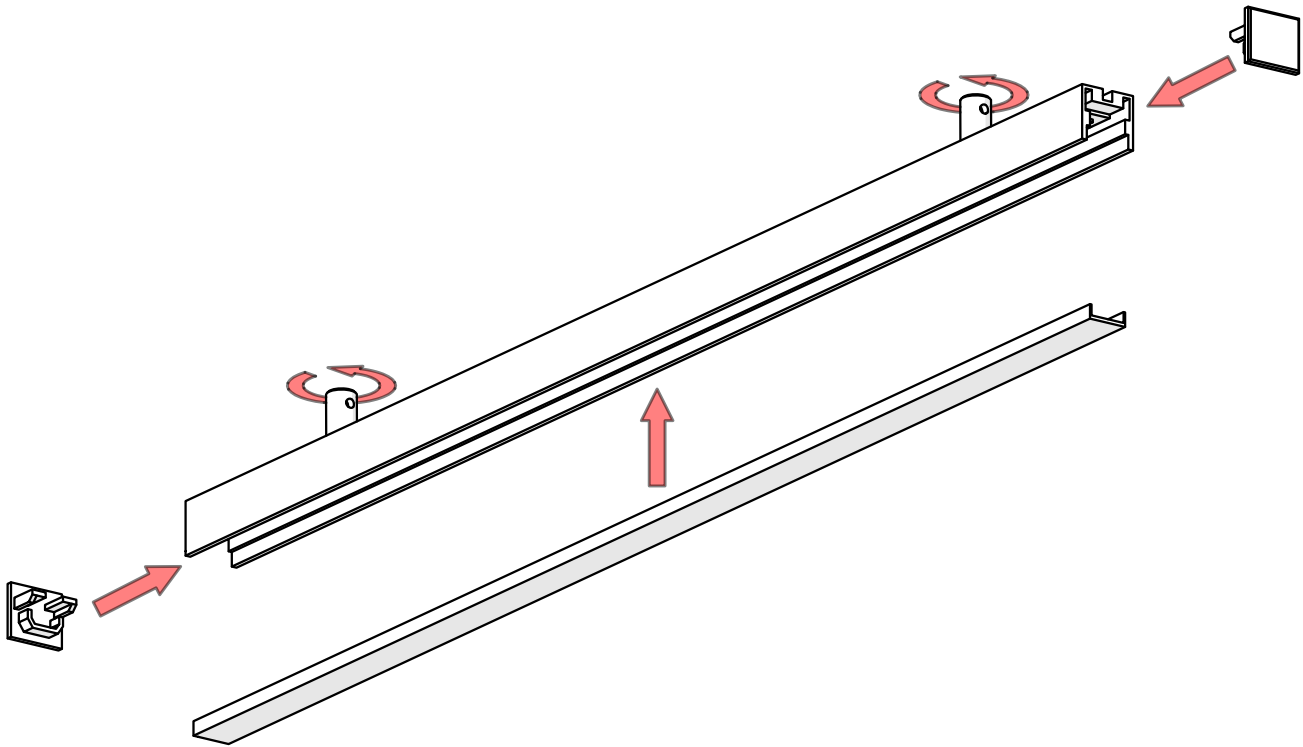
III



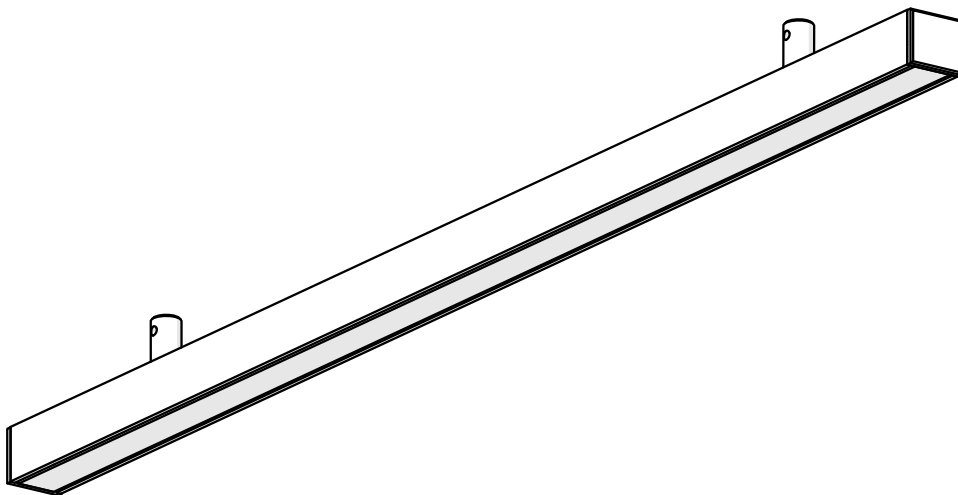
IV



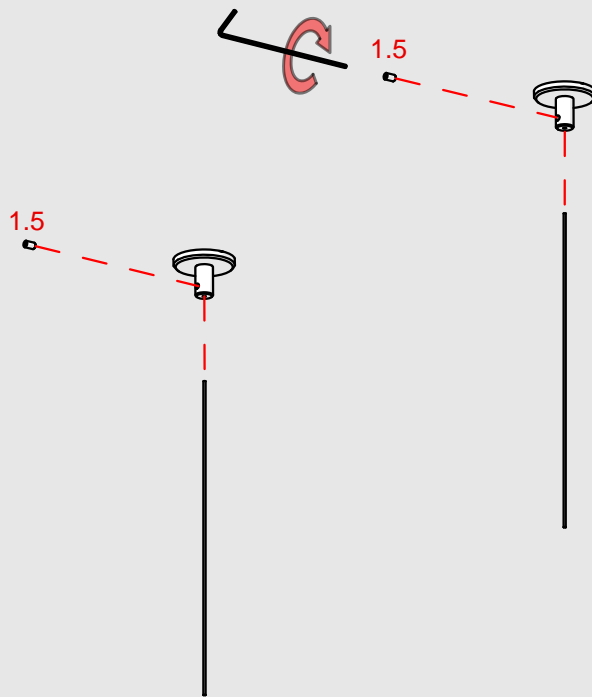
V



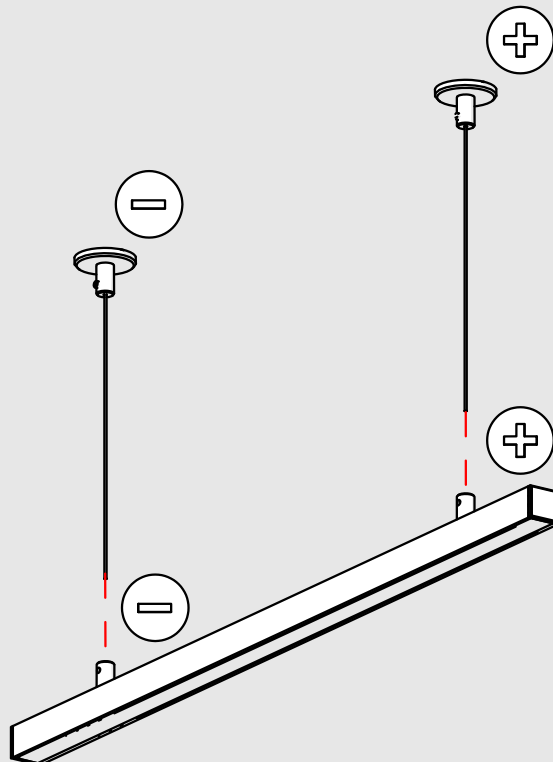
VI



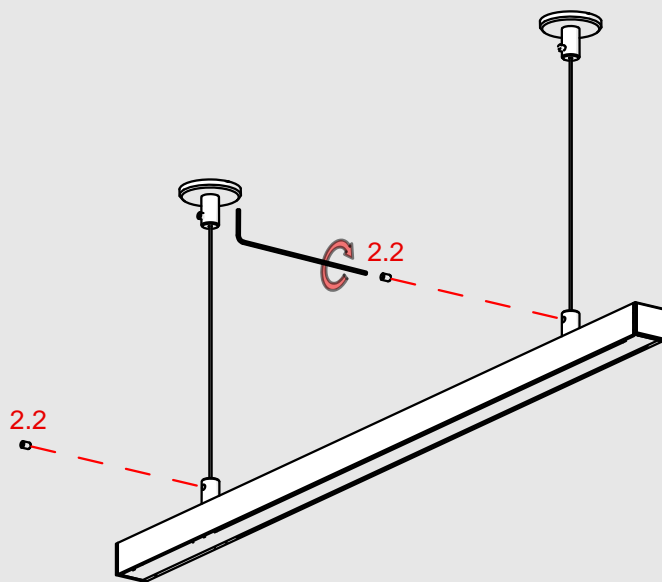
VII



VIII



IX



X

