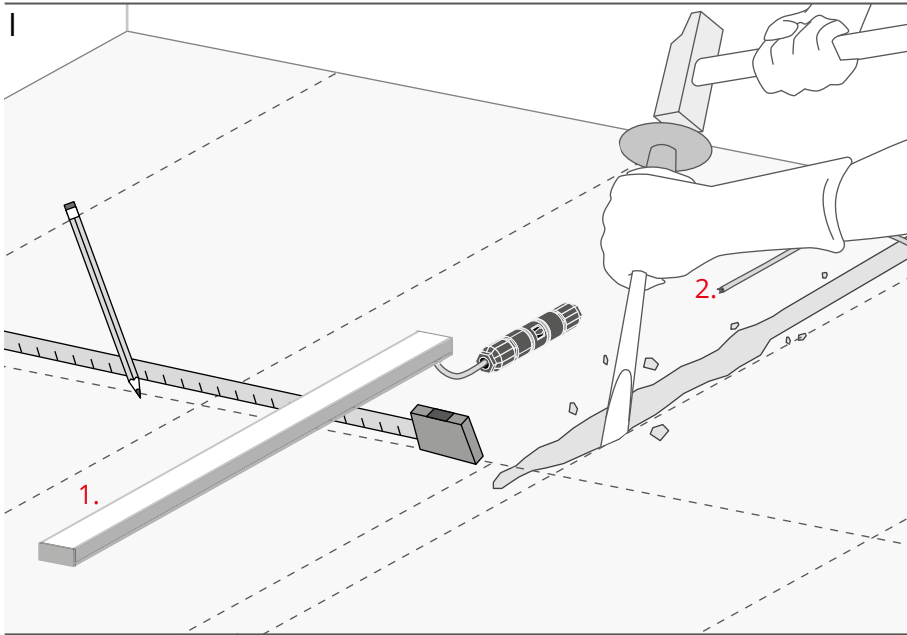


- 1. HR-ALU Lighting fixture
- 2. Cable to power supply 12 V / 24 V*
- 3.1 Hermetic coupler (item 3.1)*
- 3.2 Hermetic coupler (item 3.2)*
- 3.3 Hermetic coupler (item 3.3)*
- 3.4 Hermetic coupler (item 3.4)*

*The full range of accessories and electronics is available at www.KlusDesign.eu

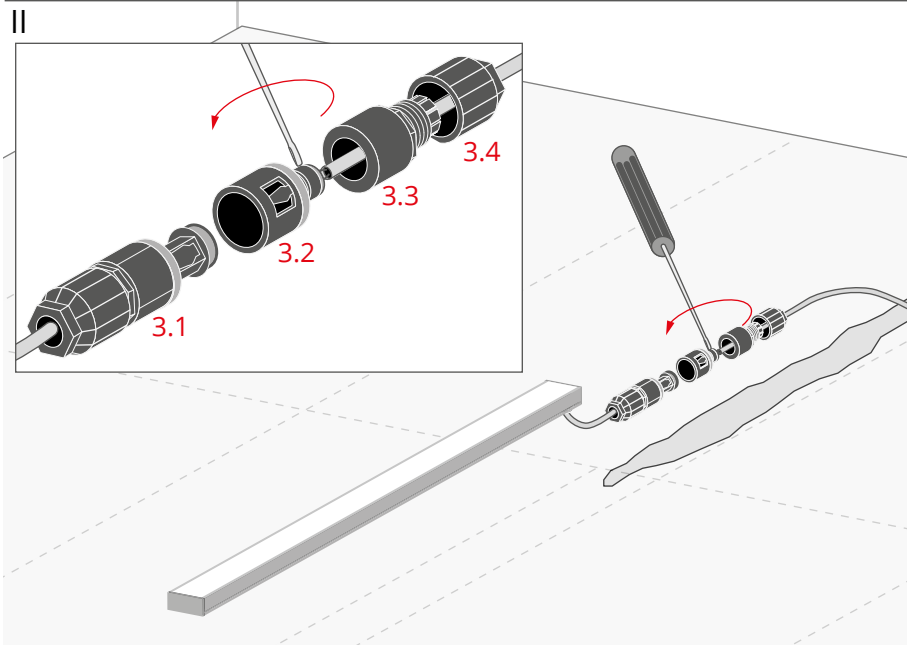
NOTE! The fixture comes with the Z type fastening. The flexible power cable in this fixture cannot be replaced if damaged. The fixture is to be disposed of if the cable is damaged. The light source in this lighting fixture is not replaceable and the whole fixture will need to be replaced once the light output is diminished.

IMPORTANT: Not all possible mounting procedures are presented here. More mounting procedures and related accessories can be found at www.KlusDesign.eu. Drawings of profiles and accessories in these instructions are simplified and only approximate the actual shapes.

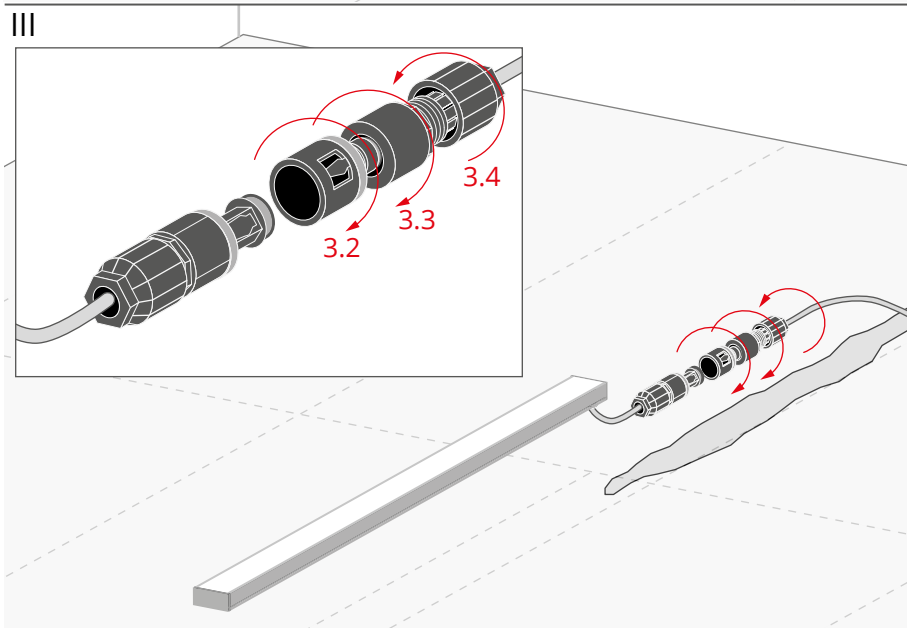


Prepare the groove in the floor for the cable (2).

Measure and trace the position of the tiles and HR-ALU lighting fixture (1).

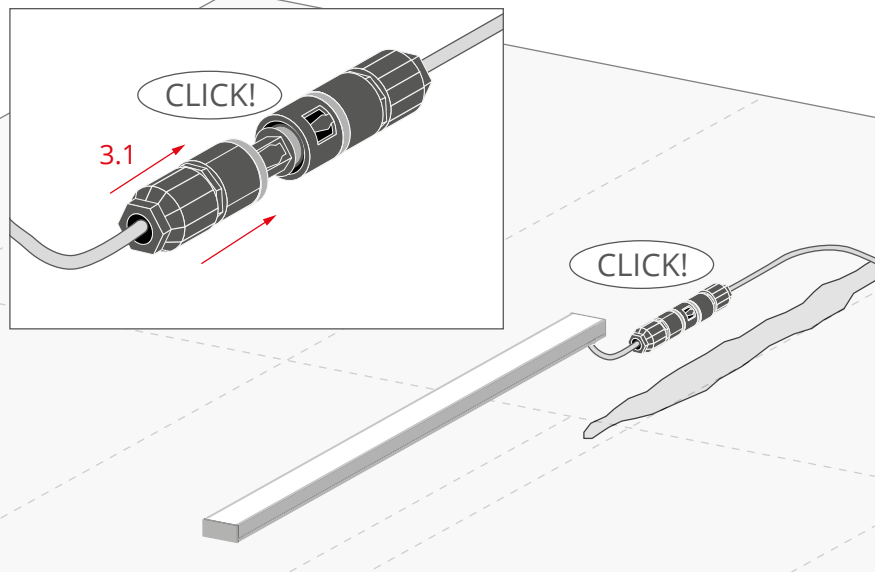


Detach the items (3.2; 3.3; 3.4) of the hermetic coupler from item (3.1). Lead the cable (2) through them and screw it to the socket in item (3.2).



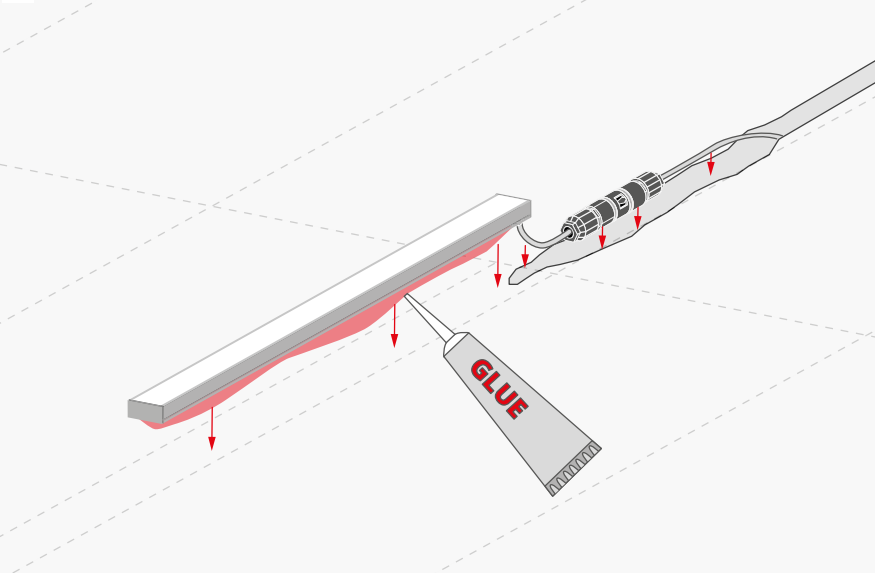
Screw together items (3.2; 3.3; 3.4) of the coupler.

IV



Connect item (3.1) with the assembled coupler set.

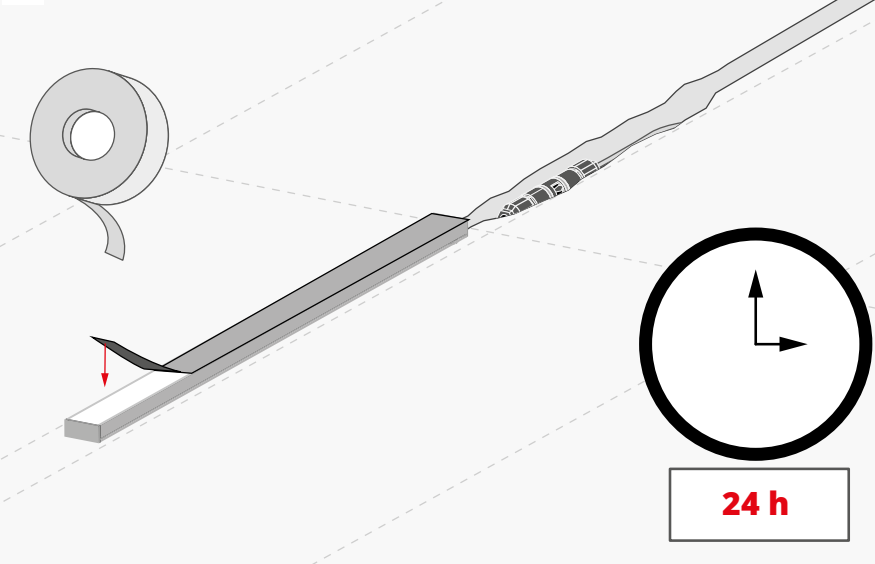
V



Place the coupler along with the cables in the prepared groove.

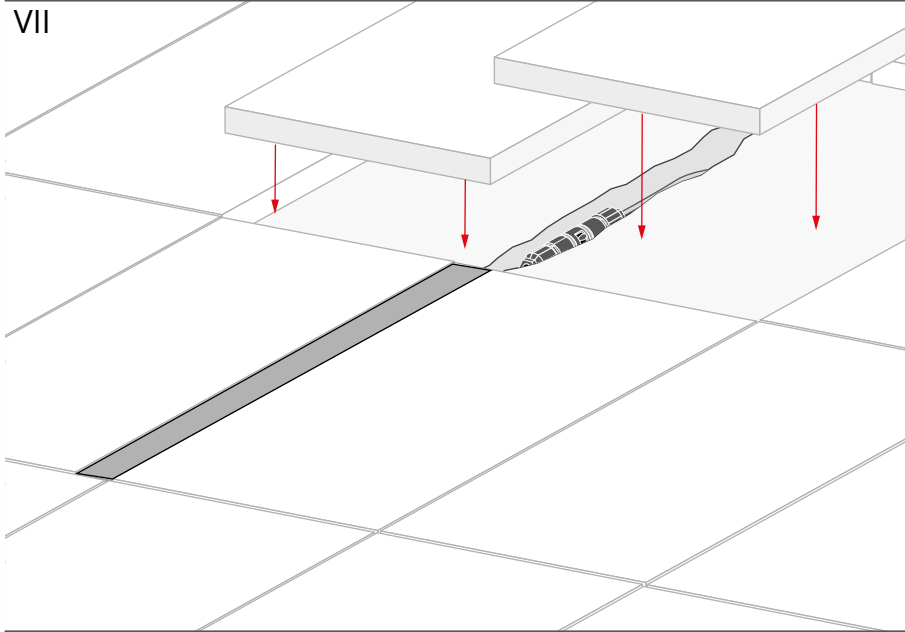
Distribute the glue on the back of the fixture and adhere it to the floor in the designated place.

VI



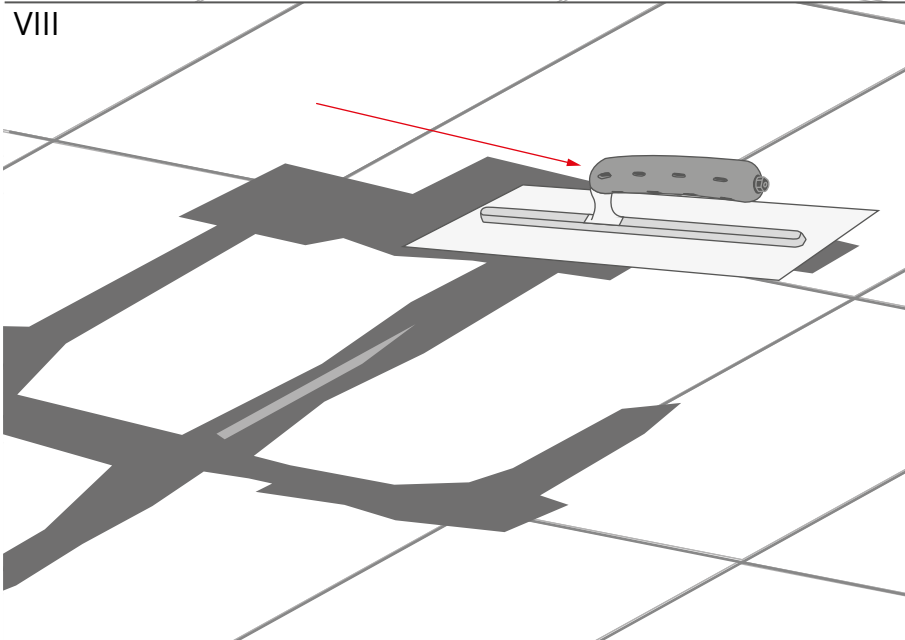
Wait 24h until the glue dries. Then secure the surface of the fixture with protective tape.

VII



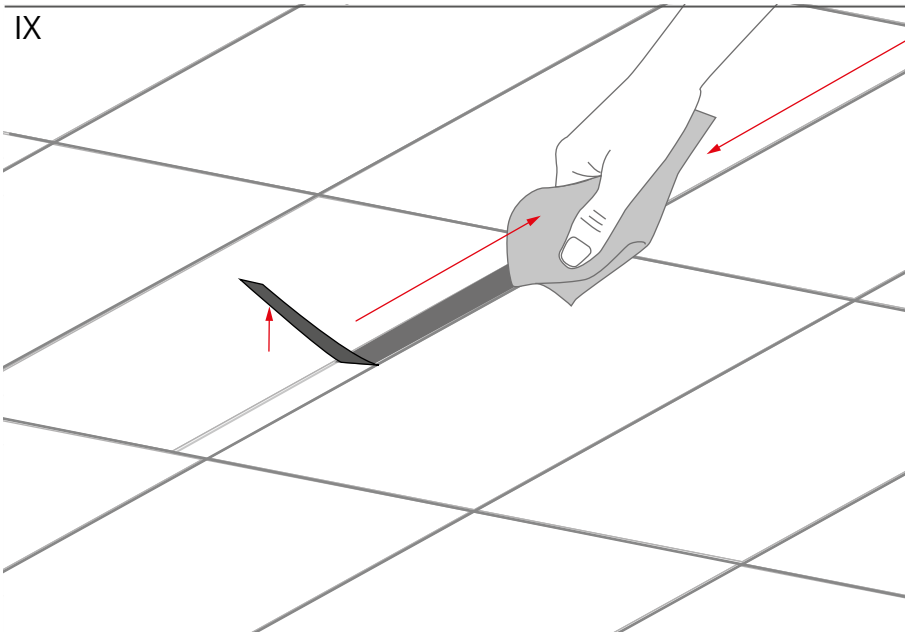
Arrange the tiles.

VIII



Apply grout between the tiles and into the grooves around the fixture

IX



Clean the tiles and the fixture from the surplus of grout and remove protective tape.